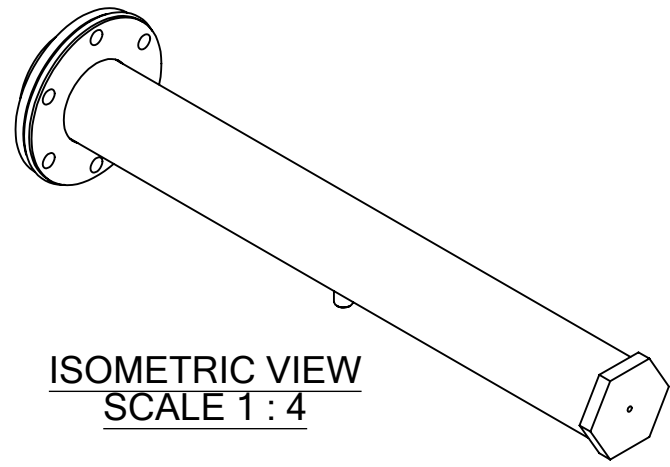


SIDE VIEW
SCALE 1 : 2

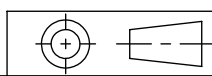


ISOMETRIC VIEW
SCALE 1 : 4

REVISIONS				
REV.	ZONE	DESCRIPTION	DATE	INITIAL

TOLERANCES
(UNLESS OTHERWISE SPECIFIED)

FRAC. ±1/16	ANGLE ±1°
.X ±.1	
.XX ±.05	
.XXX ±.010	



TEKLEEN®
Automatic Filters Inc.
2672 S. LA CIENEGA BLVD.
LOS ANGELES, CA 90034
MAIN: (310) 839-2828
FAX: (310) 839-6878

MATERIAL:	VARIES	TITLE:	1.5" PISTON ASSEMBLY, OVERALL DIMENSIONS
DRAWN BY:	S. PERKINSON	DRAWING NUMBER	PST-1.5INCH-ASSY-01
DATE:	11/29/12	REV	N/A
SCALE:	VARIES	SHEET:	1 OF 1

NOTES:
1. INDICATES LENGTH THAT PISTON EXTENDS FROM BACK END OF FILTER.
PLEASE ADD 1" TO THIS TO INCLUDE FITTING AND TUBING INSTALLED TO END OF PISTON.